

## domeprojection.com® ProjectionTools

domeprojection.com® ProjectionTools is the most versatile automatic display calibration software available for calibration of arbitrary screen shapes. It is scalable from portable, easy-to-use single camera systems for temporary installations up to high-end fixed installations requiring multicamera calibration. No matter which ProjectionTools system you use, it will always facilitate you by allowing unlimited projector channels, unlimited projection resolution (including 4K/channel) and supporting any possible screen shape. ProjectionTools offer you the flexibility to use any warp and blend solution, IG and media server of choice for your setup.

## ProjectionTools Pro AV – media installations in their most versatile forms

ProjectionTools Pro AV is the dedicated software package for the precise setup of large media installations. Depending on the size and complexity of the projection screen, one or more cameras or camera positions enable a quick and easy measurement. The mapping will be configured and exported two-dimensionally. On top of it, our ProjectionTools allow absolute image brilliance by adjusting the brightness, clipping, fade-out and blending. The ProjectionTools Pro AV software package is ideal for staging, rental and event.

## Target markets & applications

- EXPO, events, concerts and trade shows
- Themed entertainment, leisure and amusement parks
- Planetariums, and digital cinemas
- Exhibitions, museums, science centres

## Basic Requirements

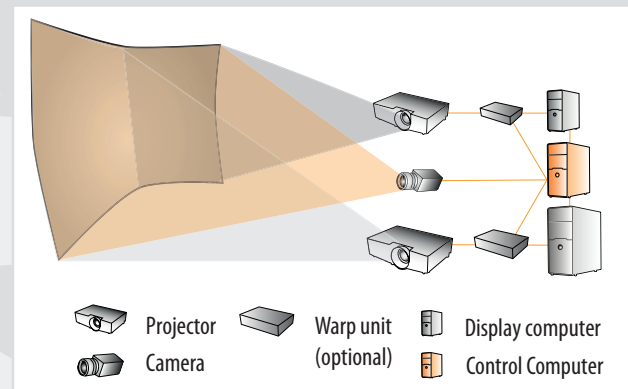
- Windows or Linux based display computers
- Windows 7/8/10 based control computer

## Features

- Camera based calibration of multi-channel projection systems using single / multiple camera positions or cameras
- Supports any standard screen geometry (flat, cylinder, fulldome, sphere and even mixed variants)
- Maps any two-dimensional content on arbitrarily shaped screens
- Single camera and even uncalibrated cameras can be used
- Warping, blending and black-level-correction export for many media players and hardware/software solutions
- Media content preparation

## Complementary products

- ColorMatch: calibration of projector gamut and brightness
- Cutter: allows cutting and distorting of images or films
- NWarP: solution to perform warping and blending directly on graphics cards
- NBlend: Optical Blend System provides pure and smooth black projection e.g. for night scenes
- AutoAlignment: recalibration of systems can be done by a few clicks. AutoAlignment makes recalibration of projection systems on a regular basis or after maintenance fast, easy and failsafe for technicians on-site.



General system setup

## ProjectionTools for Simulation, Training & Entertainment

- Patent Pending -



 domeprojection.com® GmbH  
 Frankentaler Ufer 21  
 12247 Berlin / GERMANY  
 +49 (0) 391 636066 46  
 +49 (0) 391 636066 45  
 info@domeprojection.com  
 www.domeprojection.com